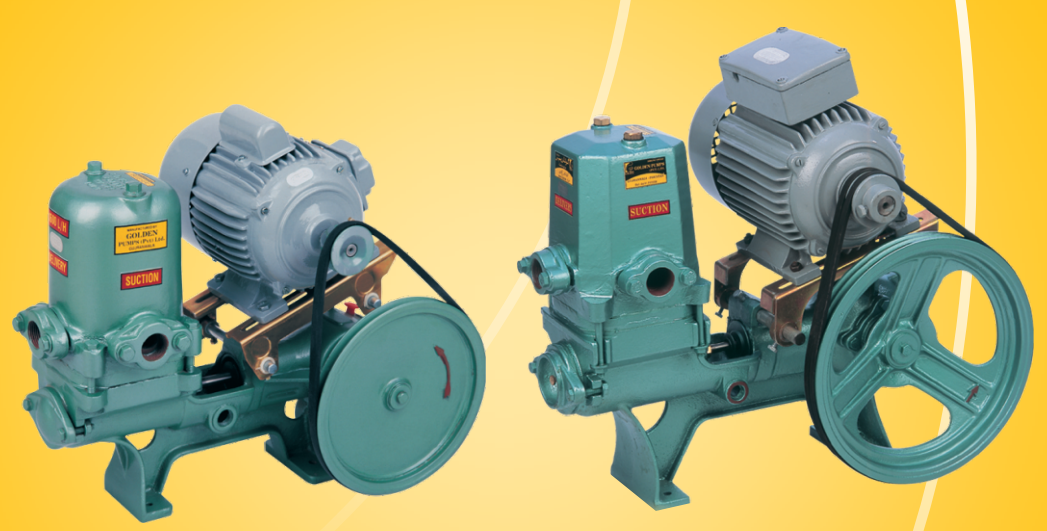




# GOLDEN

Piston Pumps  
GPP - Series



**GOLDEN PUMPS (PVT) LTD.**  
Climax Town, Pindi Bypass,  
G. T. Road, Gujranwala, PAKISTAN  
Tel: +92 55 3857621, 3857622  
E-mail: sales@goldenpumps.com.pk  
Web: www.goldenpumps.com.pk



Approved in :

Member of :





## GOLDEN Piston Pumps GPP-Series

### Function:

GPP is a series of Piston Pumps with positive displacement and double action. It is a self-priming, smooth running pump offering a longer operational life.

### Application:

These pumps are suitable for homes, hotels, flats, small farm houses, car washing and construction sites, etc.

### Pump Construction:

Main Body in Cast Iron, Cylinder & Piston Rod in S.S., Crank Shaft in super finish S.G. Iron, Gland Nut in Brass and abrasion proof silently working Valves fitted on easily accessible S.S., ABS or Cast Iron Valve Plate with Brass Seats, All Gaskets are in Rubber and Rocker Rail in Galvanized Mild Steel with Insulation Bushes to avoid the flow of current from a 'short circuit' motor to the pump and pipe lines (GPP1). The pumps have built-in Safety Valves for user's safety.

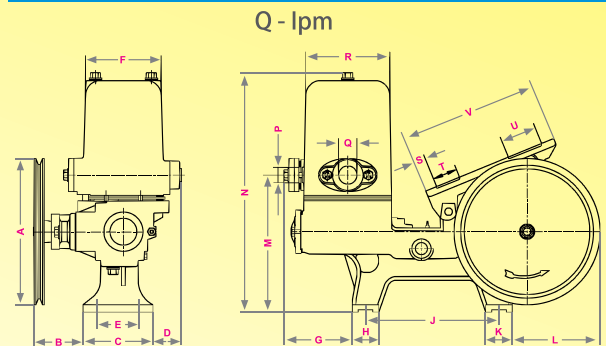
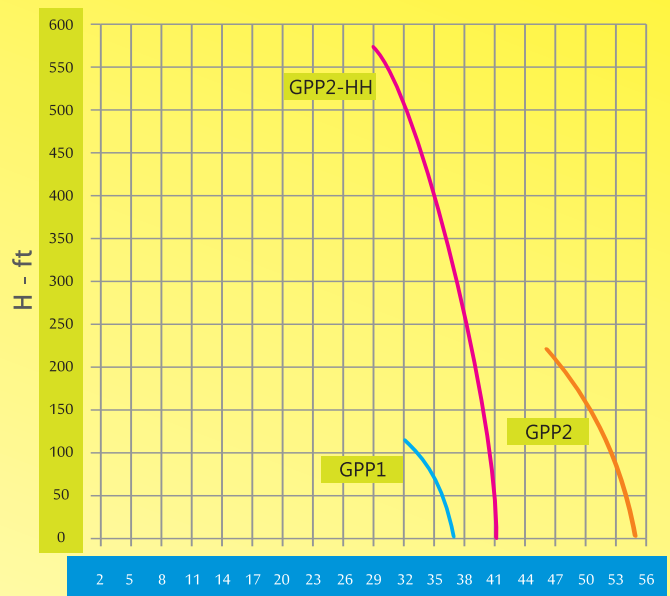
### Pump Performance Data:

Capacity (Q) up to: 14 US-gpm (max.)  
 Head (H) up to: 575 m (max.)  
 Liquid: non-aggressive  
 Liquid Temperature: +5°C ~ +60°C  
 Pump Pulley Speed: 290 ~ 310 RPM

### Installation:

Pump should be installed in horizontal position only.

### Performance Curve



### Performance Chart

Model	Size	Belt		Motor		Q - Capacity (US-gpm / lpm)														
		Type	Nos.	HP	Pulley Size	7	7.5	8	8.5	9	9.5	10	10.5	11	11.5	12	12.5	13	13.5	14
						26	28	30	32	34	36	38	40	42	44	46	48	50	52	54
						H - Total Head (ft) @ 1450 rpm														
GPP1	1"x1"	36-A	1	0.5/1	2"				115	105	75	5								
GPP2	1.25"x1.25"	48/49-A	2	2	3"										220	180	120	60	5	
GPP2-HH	1.25"x1.25"	48/49-A	2	3/5	3"	575	525	460	365	280	175	85	5							

NOTE: Suction Lift = 25' ft. (max.)

### Dimension Table

Model	A	B	C	D	E	F	G	H	J	K	L	M	N	P	Q	R	S	T	U	V
GPP1	240	80	125	55	70	130	105	40	220	40	150	235	400	26	26	140	20	38	58	210
GPP2/GPP2-HH	355	100	160	30	105	145	140	55	325	55	170	350	550	40	40	155	40	80	80	290